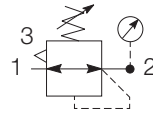


P3L Lite Series Air Preparation System

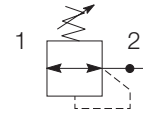
P3L Lite Regulator



Symbols



Self relieving regulator with gauge



Non relieving regulator

- Integral 1/4 ports (BSPP & NPT)
- Robust but lightweight construction
- Secondary pressure ranges 2, 4 & 8 bar
- Unbalanced poppet valve standard, with solid control piston
- Relieving & Non-relieving types
- Non-rising knob

Options:

P 3 L	R A		2		N		P
Thread type		Port size		Mounting			
BSPP	1	1/4	2	Plastic panel mount nut * P			
NPT	9			* for individual mounting bracket see page:19			
		Relief		Adjustment range			
		Relieving B		With round gauge		Without gauge	
		Non relieving N		2 bar Z	2 bar Y		
				4 bar M	4 bar L		
				8 bar G	8 bar N		

Port size	Description	Order Code	Flow dm ³ /s * (scfm) *	Max bar (psi)	Height mm (Inches)	Width mm (Inches)	Depth mm (Inches)
1/4"	8 bar relieving	P3LRA12BNNP	12.8 (27)	10 (150)	88 (3.46)	40 (1.57)	40 (1.57)
1/4"	8 bar relieving + gauge	P3LRA12BNGP	12.8 (27)	10 (150)	88 (3.46)	40 (1.57)	72 (2.83)

* flow with 10 bar (145 psi) inlet pressure, 6.3 bar (91.3 psi) set pressure and 1 bar (14.5 psi) pressure drop.

PDE2661TCUK
P3L Lite Series Air Preparation System

Specifications

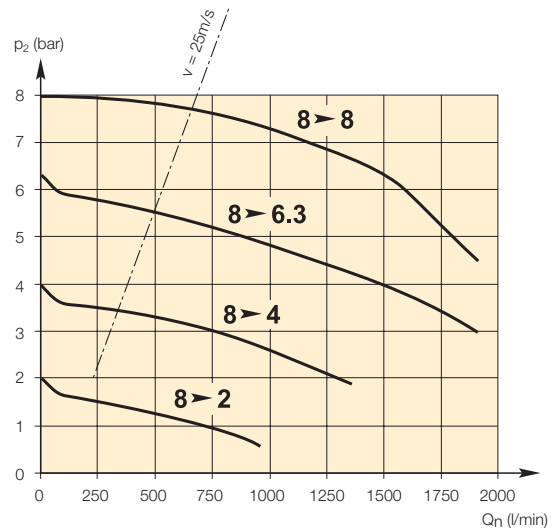
Flow Capacity*	1/4	12.8 dm ³ /s (27 scfm)
Operating Temperature	0°C (32°F) to 50°C (122°F)	
Max Supply Pressure	10 bar (150 psi)	
Adjusting Range Pressure	0-2 bar (30 psi) 0-4 bar (60 psi) 0-8 bar (125 psi)	
Port Size	BSPP / NPT	1/4
Gauge Port (2 ea.)	BSPP / NPSI	1/8
Weight	0.11 kg (24 lbs)	
Inlet pressure 10 bar (145 psi), 6.3 bar (91.3 psi) set pressure and 1 bar (14.5 psi) pressure drop.		

Materials of Construction

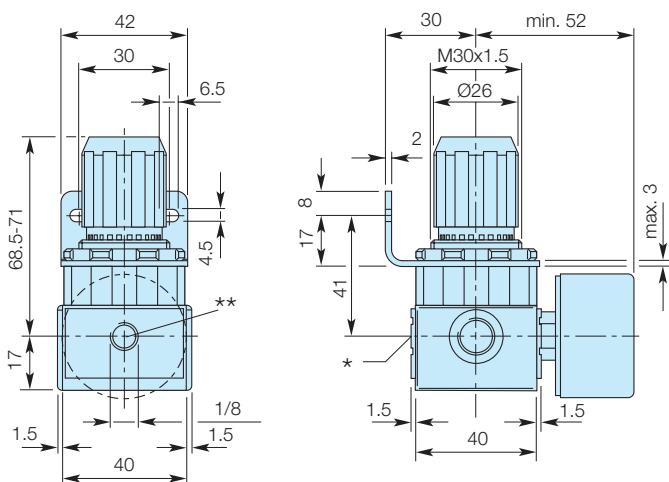
Body	High Tech Polymer
Adjustment Knob	Polyamide
Bonnet	High Tech Polymer
Piston	Brass / Nitrile
Springs	Steel
Seals	Nitrile
Panel Nut	Polyamide

Flow Charts

Regulator



Dimensions



* On delivery the screw plug is not assembled
 ** Two opposite gauge ports 1/8"

Repair and Service Kits

Panel mount nut - Aluminium	P3LKA00MM
Panel mount nut - Plastic	P3LKA00MP
Angle Bracket (uses panel mount threads)	P3LKA00MR

Gauges

40mm (1 1/2") Round 1/8" centre back mount

0-30 PSI / 0-2 bar	KZ8810-00
0-58 PSI / 0-4 bar	KZ8811-00
0-160 PSI / 0-10 bar	KZ8813-00