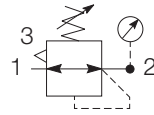


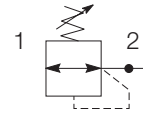
P3L Lite Regulator - Brass



Symbols



Self relieving regulator with gauge



Non relieving regulator

- Integral 1/4 ports (BSPP & NPT)
- Robust brass construction
- Secondary pressure ranges 2, 4, 8 & 16 bar
- Unbalanced poppet valve standard, with solid control piston
- Relieving & Non-relieving types
- Non-rising knob
- Industrial water & Drinking water applications

Options:

P 3 L	R X		2		N		P		
Thread type		Port size		Relief		Adjustment range			
BSPP	1	1/4	2	Relieving	B	With round gauge	Without gauge		
NPT	9			Non relieving	N	2 bar	Z	2 bar	Y
						4 bar	M	4 bar	L
						8 bar	G	8 bar	N
								Mounting	
								Plastic panel mount nut * P	
								* for individual mounting bracket see page:19	

Port size	Description	Order Code	Flow dm ³ /s *	(scfm) *	Max bar (psi)	Height mm (Inches)	Width mm (Inches)	Depth mm (Inches)
1/4"	8 bar relieving	P3LRX12BNNP	9.8	(20.7)	8 (116)	79 (3.11)	40 (1.57)	40 (1.57)
1/4"	8 bar relieving + gauge	P3LRX12BNGP	9.8	(20.7)	8 (116)	79 (3.11)	40 (1.57)	72 (2.83)

* flow with 10 bar (145 psi) inlet pressure, 6.3 bar (91.3 psi) set pressure and 1 bar (14.5 psi) pressure drop.

PDE2661TCUK
P3L Lite Series Air Preparation System

Specifications

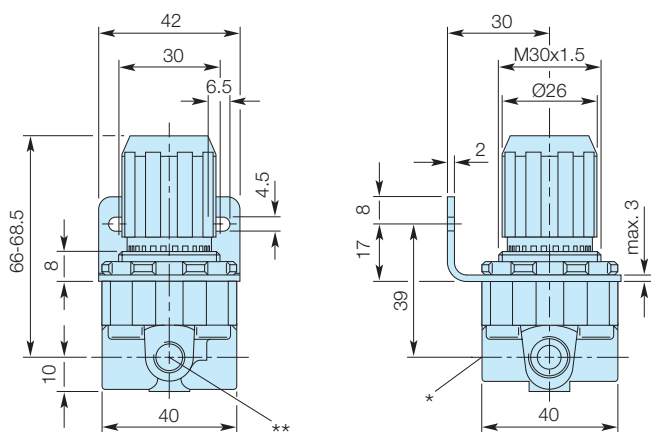
Flow Capacity*	1/4	9.8 dm ³ /s (20.7 scfm)
Operating Temperature	0°C (32°F) to 60°C (140°F)	
Max Supply Pressure	16 bar (232 psi)	
Adjusting Range Pressure	0-2 bar (30 psi) 0-4 bar (60 psi) 0-8 bar (125 psi)	
Port Size	BSPP / NPT	1/4
Gauge Port (2 ea.)	BSPP / NPSI	1/8
Weight	0.2 kg (0.44 lbs)	

* Inlet pressure 10 bar (145 psi), 6.3 bar (91.3 psi) set pressure and 1 bar (14.5 psi) pressure drop.

Materials of Construction

Body	Brass
Adjustment Knob	Polyamide
Bonnet	High Tech Polymer
Piston	Brass / Nitrile
Springs	Steel
Seals	Nitrile
Panel Nut	Polyamide

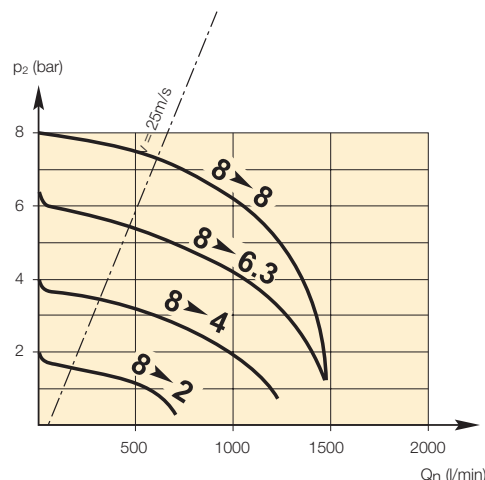
Dimensions



* On delivery the scw plug is not assembled
 ** Two opposite gauge ports 1/8

Flow Charts

Regulator - Brass



Repair and Service Kits

Panel mount nut - Aluminium	P3LKA00MM
Panel mount nut - Plastic	P3LKA00MP
Angle Bracket (uses panel mount threads)	P3LKA00MR

Gauges

40mm (1 1/2") Round 1/8" centre back mount

0-30 PSIG / 0-2 bar	KZ8810-00
0-58 PSIG / 0-4 bar	KZ8811-00
0-160 PSIG / 0-10 bar	KZ8813-00