

Product data sheet

Specifications



Touch panel screen, Harmony STO & STU, 3"4 monochrome Ethernet G/O/R

HMISTO531

! Discontinued - Service only

! Discontinued on: Dec 2, 2020

! End-of-service on: Dec 28, 2023

Product availability: Non-Stock - Not normally stocked in distribution facility

Main

Range of Product	Harmony STO & STU
Product or Component Type	Touch panel screen
Processor name	CPU RISC

Complementary

Display size	3.4 inch
Display Type	Backlit monochrome STN LCD
Background colour	Green, orange and red
Display Resolution	200 x 80 pixels
Touch panel	Analogue
Backlight lifespan	10000 hours red 50000 hours orange 50000 hours green
Brightness	8 levels
Contrast	16 levels via touch panel
Character font	Chinese (simplified Chinese) Korean Taiwanese (traditional Chinese) Japanese (ANK, Kanji) ASCII
[Us] rated supply voltage	24 V DC +/- 20 %
Inrush current	30 A
Local signalling	1 LED (green) for normal operation
Power Consumption in W	5 W
Number of pages	Limited by internal memory capacity
Processor frequency	333 MHz
Port Ethernet	10/100BASE-TX
Memory description	Application memory 16 MB Back up of data 128 kB
Integrated connection type	1 USB 2.0 type mini B 1 USB 2.0 type A power supply - removable screw terminal block 1 Ethernet TCP/IP - 1 RJ45

Price is "List Price" and may be subject to a trade discount – check with your local distributor or retailer for actual price.

Supply	External source
Realtime clock	Access to the PLC real-time clock
Downloadable protocols	XWAY TCP/IP Modbus TCP/IP Third party protocols
Fixing mode	By 2 spring clips 1.6...5 mm thick panel
Enclosure Material	PPT
Marking	CE

Environment

Immunity to microbreaks	3 ms
Standards	FCC Class A UL 1604 UL 508 IEC 61000-6-2 EN 61131-2
Product Certifications	UL Class 1 Division 2 T5 C-tick CE UL Class 1 Division 2 T4A cULus
Ambient air temperature for operation	32...122 °F (0...50 °C)
Ambient Air Temperature for Storage	-4...140 °F (-20...60 °C)
Relative humidity	0...90 % without condensation
Operating altitude	<= 6561.68 ft (2000 m)
IP degree of protection	IP20 IEC 60529 rear panel) IP65 IEC 60529 front panel)
NEMA degree of protection	NEMA 4X front panel (indoor use)
Shock resistance	15 gn 11 ms IEC 60068-2-27
Vibration resistance	+/- 3.5 mm 5...9 Hz) IEC 60068-2-6 1 gn 9...150 Hz) IEC 60068-2-6
Electromagnetic compatibility	Resistance to radiated electromagnetic fields - test level: 10 V/m conforming to IEC 61000-4-3

Ordering and shipping details

Category	US10MC222569
Discount Schedule	0MC2
GTIN	3595864127507
Returnability	No

Packing Units

Unit Type of Package 1	PCE
Nbr. of units in pkg.	1
Package 1 Height	3.3 in (8.5 cm)
Package 1 Width	3.5 in (9.0 cm)
Package 1 Length	7.3 in (18.5 cm)
Package weight(Lbs)	13.4 oz (381.0 g)

Contractual warranty

Warranty (in months)

18

Environmental Data

Schneider Electric aims to achieve Net Zero status by 2050 through supply chain partnerships, lower impact materials, and circularity via our ongoing “Use Better, Use Longer, Use Again” campaign to extend product lifetimes and recyclability.

[Environmental Data explained >](#)

[How we assess product sustainability >](#)

Environmental footprint

[Environmental Disclosure](#)

[Product Environmental Profile](#)

Use Better

Materials and Substances

[EU RoHS Directive](#)

Pro-active compliance (Product out of EU RoHS legal scope)

SCIP Number

E52e26c6-bf18-4986-90c0-40bf6025afe1

California proposition 65

WARNING: This product can expose you to chemicals including: Lead and lead compounds, which is known to the State of California to cause cancer and birth defects or other reproductive harm. For more information go to www.P65Warnings.ca.gov

Use Again

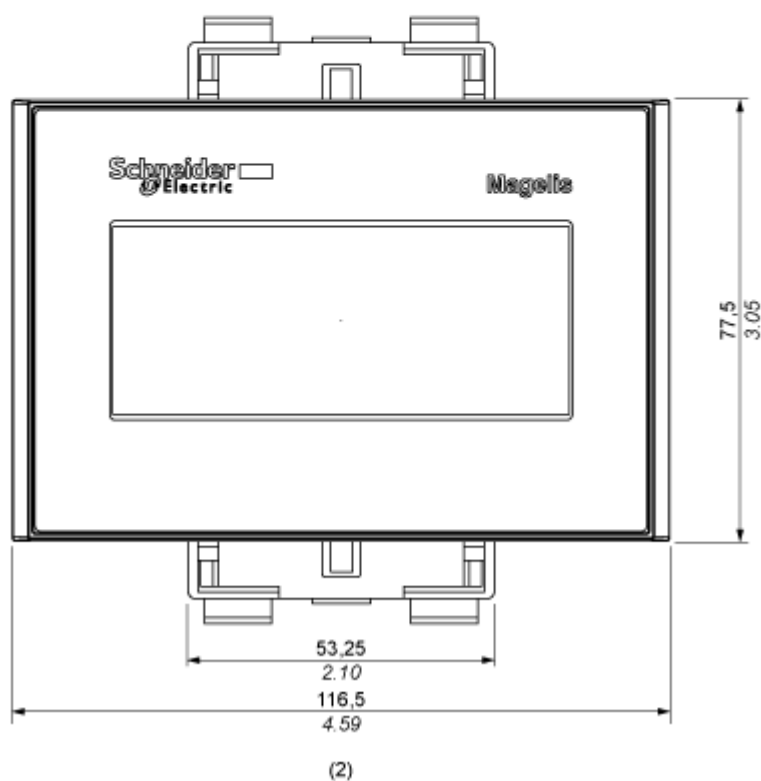
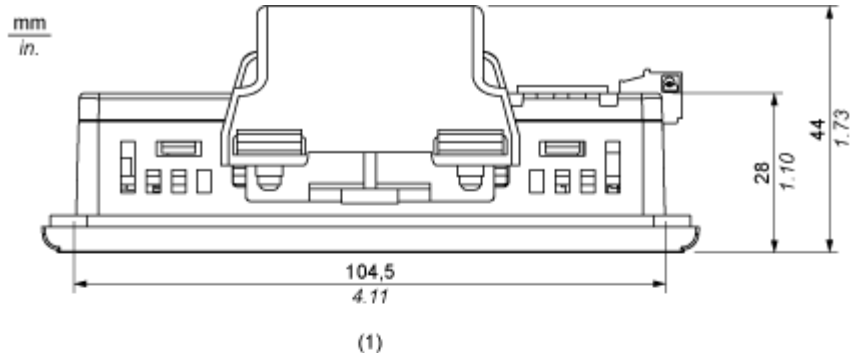
Repack and remanufacture

[Circularity Profile](#)

[End of Life Information](#)

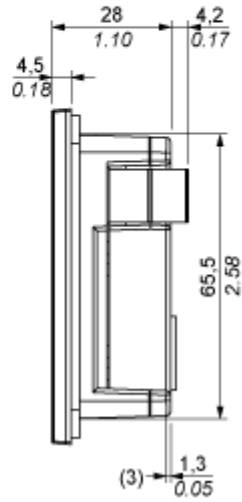
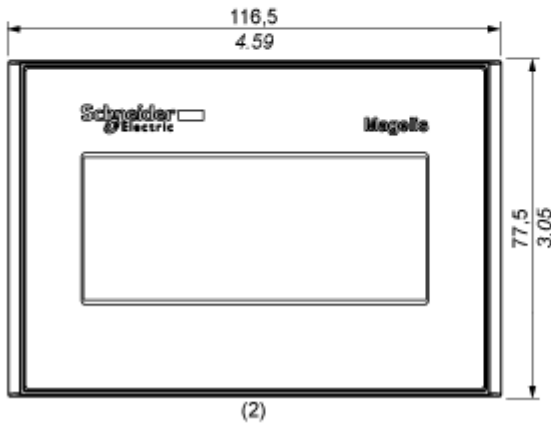
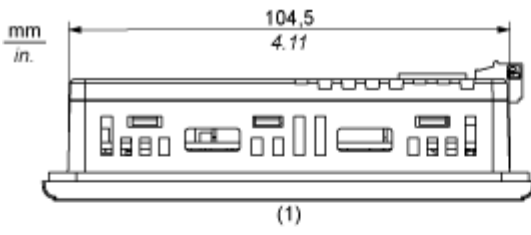
Dimensions Drawings

Dimensions with Spring Clips



- (1) Top
- (2) Front

Dimensions without Spring Clips

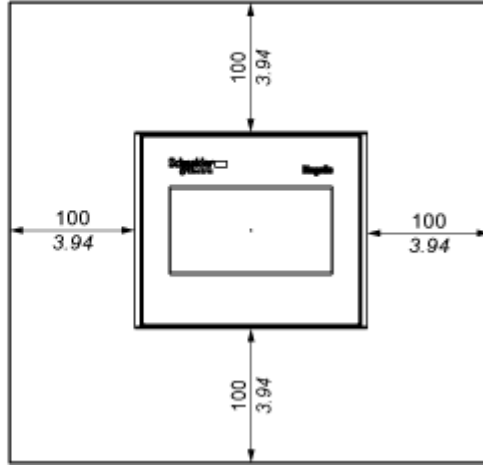
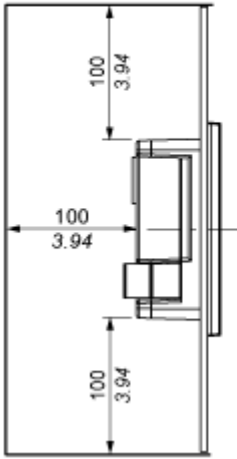


- (1) Top
- (2) Front
- (3) Right Side

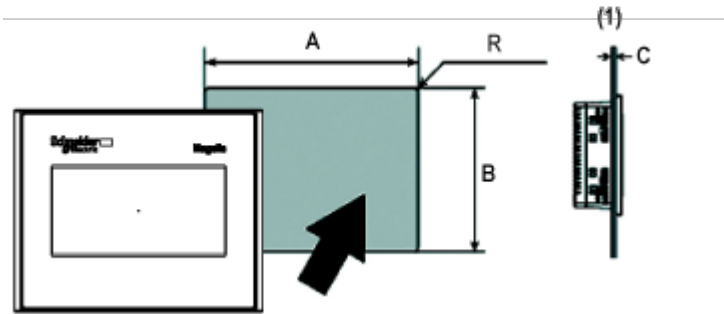
Mounting and Clearance

Clearance

mm
in.



Panel Cut-out Dimensions



(1) Panel

A (mm)	A (in.)	B (mm)	B (in.)	C (mm) Spring Clips	C (in.) Spring Clips	R (mm)	R (in.)
+1 105 -0	+0.04 4.13 -0	+1 66 -0	+0.04 2.59 -0	1.5 to 6.0	0.059 to 0.236	2.0 to 3.0	0.078 to 0.118